

FLX SERIES, 3" 150 LB. STYLE SINGLE ELEMENT FLUOROPOLYMER (PTFE) FLANGED HEATERS					
WATTS	VOLTS	NO. OF ELEMENTS	OVERALL LENGTH In./(mm)	MODEL NUMBER	SHIP WGT. Lbs./(kg)
1000	120	1	11	3FLX1111-**	20
	240		(280)	3FLX1211-**	(9)
2000	240	1	16	3FLX2216-**	23
	480		(405)	3FLX2416-**	(11)
3000	240	1	21	3FLX3221-**	26
	480		(535)	3FLX3421-**	(12)
4000	240	1	28	3FLX4228-**	29
	480		(710)	3FLX4428-**	(13.5)
5000	240	1	32	3FLX5232-**	32
	480		(815)	3FLX5432-**	(15)
6000	240	1	35	3FLX6235-**	35
	480		(890)	3FLX6435-**	(16)

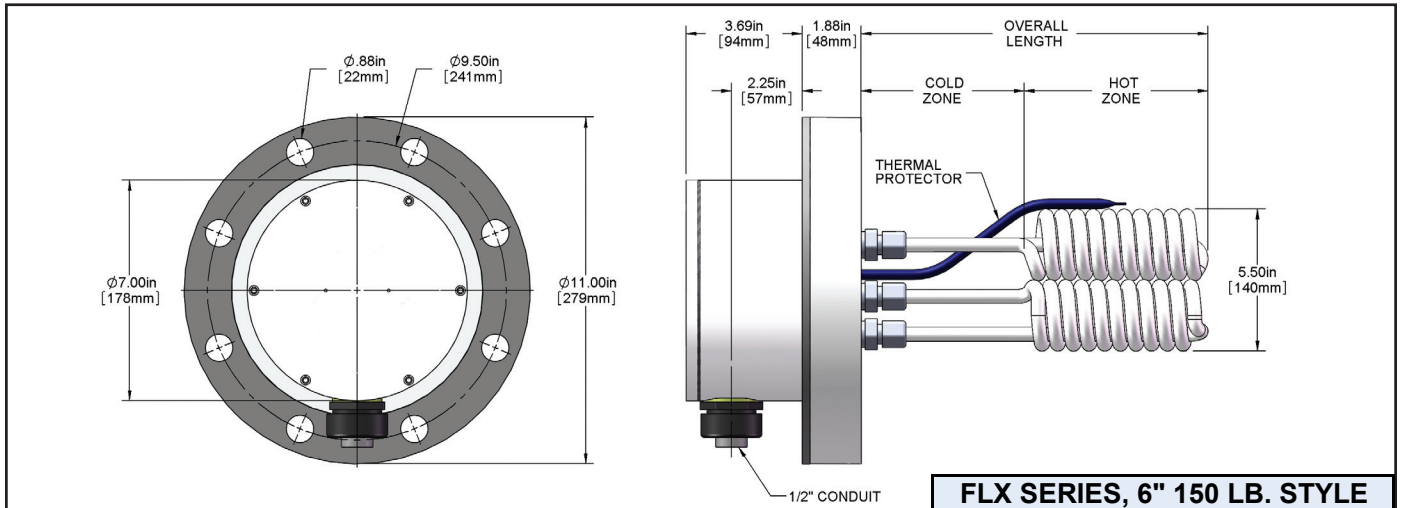
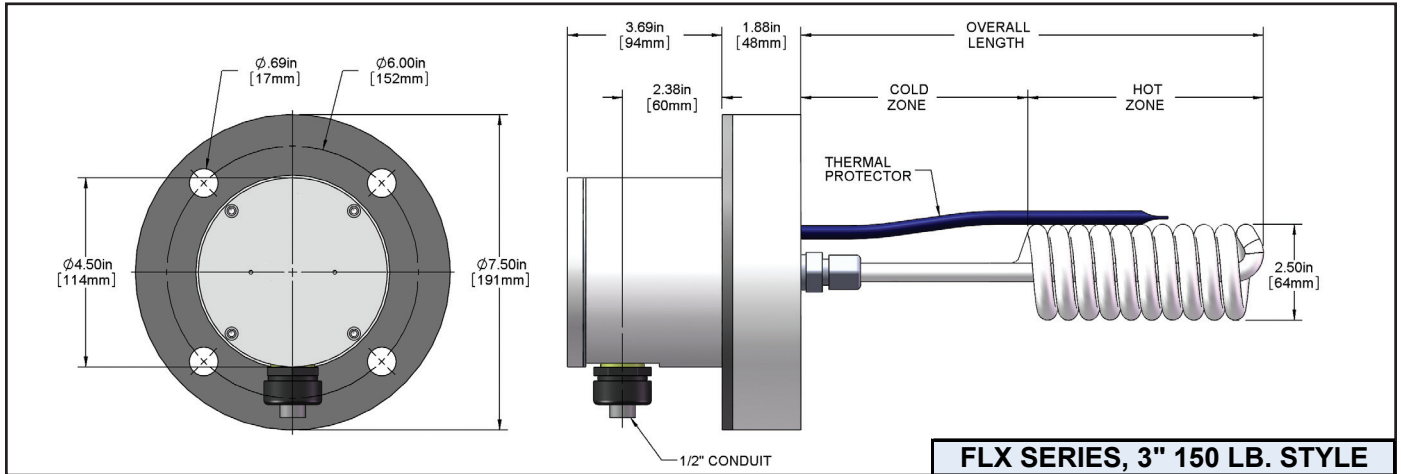
FLX SERIES, 6" 150 LB. STYLE THREE ELEMENT FLUOROPOLYMER (PTFE) FLANGED HEATERS					
WATTS	VOLTS	NO. OF ELEMENTS	OVERALL LENGTH In./(mm)	MODEL NUMBER	SHIP WGT. Lbs./(kg)
3000	240	3	11	6FLX3211-**	42
	480		(280)	6FLX3411-**	(19)
6000	240	3	16	6FLX6216-**	51
	480		(405)	6FLX6416-**	(23)
9000	240	3	21	6FLX9221-**	60
	480		(535)	6FLX9421-**	(27)
12000	240	3	28	6FLX12228-**	66
	480		(710)	6FLX12428-**	(30)
15000	240	3	32	6FLX15232-**	75
	480		(815)	6FLX15432-**	(34)
18000	240	3	35	6FLX18235-**	84
	480		(890)	6FLX18435-**	(38)

Heaters rated up to 50 PSI service.

Product Features and Benefits:

- ◆ **SUPERIOR CHEMICAL RESISTANCE:** Inert to most aqueous acid, alkaline, anodizing and plating solutions. Check solution recommendation chart or with your chemical supplier for proper sheath material selection.
 - ◆ **RUGGED CONSTRUCTION:** Heavy wall fluoropolymer (PTFE) covered stainless steel sheath reduces permeation and eliminates the need for gas purge systems. Guaranteed 100% pinhole free.
 - Rated for up to 50 PSI service.
 - Vapor tight polypropylene head.
 - ◆ **LONG LASTING PERFORMANCE:** Low watt densities of 10 watts per square inch (1.5w/cm²) ensure long service life.
 - ◆ **SAFETY FEATURES:**
 - Grounded internal metal heating element.
 - Thermal protector built in. Resettable P2 thermal protector standard for solutions up to 180°F (82°C).
 - ◆ **CERTIFICATIONS:** CE (except 600 volts).
 - ◆ **SIZES:** 1,000 watts to 18,000 watts.
 - ◆ **VOLTAGES:** 240 or 480 volts. 120, 208, 380, 415, 600 and other voltages available. 3FLX single phase only, 6FLX single or three phase.
 - ◆ **OPTIONS AVAILABLE (consult factory):**
 - Special configurations and lengths.
 - Resettable thermal protectors:
 - P8 type-J thermocouple for solutions from 180°F (82°C) to 210°F (99°C).
 - P3 type-J thermocouple for solutions from 210°F (99°C) to 250°F (121°C).
 - Additional thermowells.
 - Integral thermostats.
 - Lower watt densities for highly viscous solutions.
 - Temperature and level controls sized to match the heater.
- NOTE:** Gasket and bolts not provided. Intended for horizontal installation only.

DIMENSIONS



PTFE FLANGED HEATER ORDERING INFORMATION

Flange Size	Series	Wattage	Voltage	Overall Length (in.)	Options	Type of fuse	Wire and Conduit Length
3 = 3" 6 = 6"	1 = 1000 2 = 2000 3 = 3000 4 = 4000 5 = 5000 6 = 6000	1 = 120 2 = 240 3 = 380 4 = 480 5 = 415 6 = 600 7 = 400 8 = 208 9 = 220 0 = 200	1 = 120 2 = 240 3 = 380 4 = 480 5 = 415 6 = 600 7 = 400 8 = 208 9 = 220 0 = 200	3FL: 11 = 1kW 16 = 2kW 21 = 3kW 28 = 4kW 32 = 5kW 35 = 6kW specify (custom lengths available)	6FL: 3kW 6kW 9kW 12kW 15kW 18kW specify (custom lengths available)	single phase power only for 3FL series three phase power standard for 6FL series -1 = single phase power (6FL only)	
				Resettable Fuse (additional control components required)		-P2 for solutions up to 180°F -P8 for 180° - 210°F solutions -P3 for 210° - 250°F solutions	
1 inch = 25.4mm				no designator = 36" length standard specify variations from standard, Ex: -X84 = 84"			