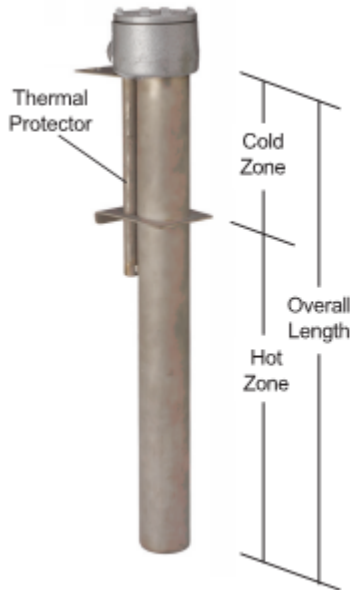


DAS SERIES PHOSPHATE HEATERS



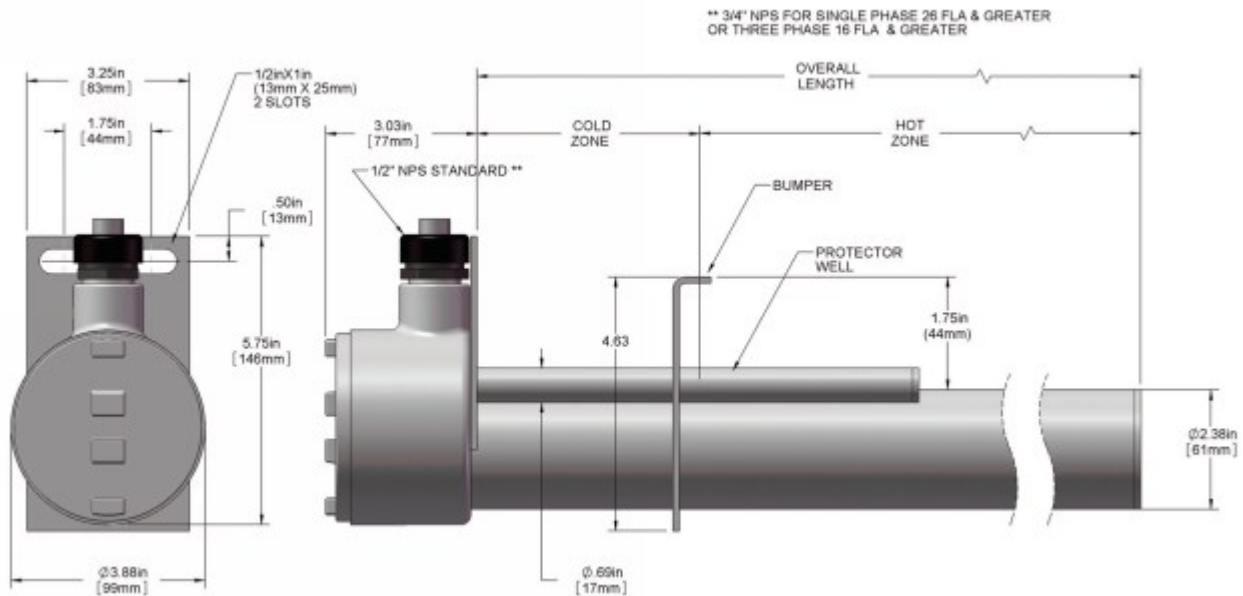
DAS SERIES, PHOSPHATE HEATERS					
WATTS	VOLTS	HOT ZONE In./ (mm.)	OVERALL LENGTH In./ (mm.)	MODEL NUMBER	SHIP WGT. Lbs./ (kg.)
1000	120	7	11	DAS1111-P4	17
	240	(180)	(280)	DAS1211-P4	(8)
2000	240	12	17	DAS2217-P4	20
	480	(305)	(430)	DAS2417-P4	(9)
3000	240	18	23	DAS3223-P4	24
	480	(460)	(585)	DAS3423-P4	(11)
3500	240	21	29	DAS3.5229-P4	30
	480	(535)	(735)	DAS3.5429-P4	(14)
4000	240	28	35	DAS4235-P4	36
	480	(710)	(890)	DAS4435-P4	(16)
5000	240	33	41	DAS5241-P4	42
	480	(840)	(1040)	DAS5441-P4	(19)
6000	240	39	47	DAS6247-P4	48
	480	(990)	(1320)	DAS6447-P4	(22)
8000	240	49	59	DAS8259-P4	58
	480	(1245)	(1500)	DAS8459-P4	(27)
10000	240	62	71	DAS10271-P4	64
	480	(1575)	(1900)	DAS10471-P4	(30)

Other configurations available, consult factory.

Product Features and Benefits:

- ◆ **SUPERIOR CHEMICAL RESISTANCE:** For use in iron, zinc and manganese phosphate tanks.
- ◆ **EXTREMELY RUGGED CONSTRUCTION:** Schedule 40, heavy wall, 316 stainless steel sheath withstands scaling better than traditional heaters.
- ◆ **OUTSTANDING PERFORMANCE:** Low watt densities of 23 watts per square inch (3.5 w/cm²) helps to minimize scaling while only utilizing the space required for a full watt density heater.
- ◆ **CORROSION RESISTANT HEAD:** Rugged cast steel terminal enclosure with 3-foot (.9m) flexible PVC liquid tight conduit.
- ◆ **SAFETY FEATURES:**
 - Grounded construction.
 - Thermal protector built in. Replaceable P4 fuse standard.
 - Non-floating construction.
- ◆ **CERTIFICATIONS:** CE (except 600 volts).
- ◆ **SIZES:** 1,000 watts to 10,000 watts.
- ◆ **VOLTAGES:** 120 to 600 volts. Single phase standard, three phase available.
- ◆ **OPTIONS AVAILABLE (consult factory):**
 - Thermal protectors: Replaceable high temperature fuses or resettable P2 bi-metal switches in two temperature ranges.
 - Special configurations and lengths.
 - Longer wire and conduit lengths.
 - Temperature and level controls sized to match the heater.
- ◆ **NOTE: Do not use in any aluminum reactive alkaline solutions.**

DAS SERIES DIMENSIONS



DAS SERIES ORDERING INFORMATION

Series	Wattage	Voltage	Length (in.)	Options	Type of Fuse	Wire and Conduit Length
DAS	1 = 1000	1 = 120	11 = 1kW	specify custom lengths, not to exceed tank depth	Replaceable Protector	no designator = 36" length standard specify variations from standard Ex: -X84 = 84"
	2 = 2000	2 = 240	17 = 2kW			
	3 = 3000	3 = 380	23 = 3kW			
	3.5 = 3500	4 = 480	29 = 3.5kW			
	4 = 4000	5 = 415	35 = 4kW			
	5 = 5000	6 = 600	41 = 5kW			
	6 = 6000	7 = 400	47 = 6kW			
	8 = 8000	8 = 208	59 = 8kW			
	10 = 10000	9 = 220	71 = 10kW			
		0 = 200				
	no designator = single phase power (standard)				Resetable Protector (additional control components required)	
	-3 = three phase power					
					-P4 (std) for solutions up to 230°F	
					-P5 for 230° - 300°F solutions	
					-P6 for solutions up to 230°F	
					-P7 for 230° - 300°F solutions	

1 inch = 25.4mm