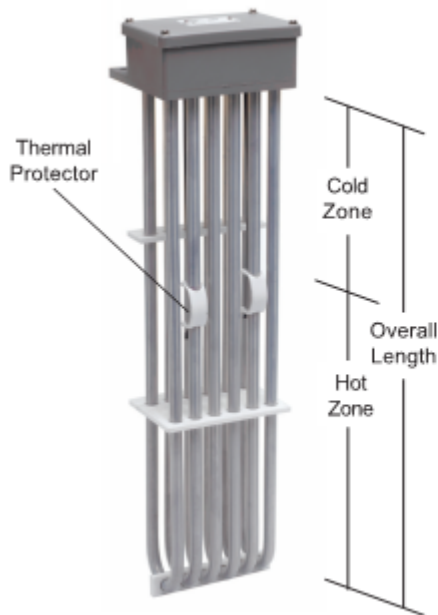


6HX SERIES FLUOROPOLYMER (PTFE) HEATERS



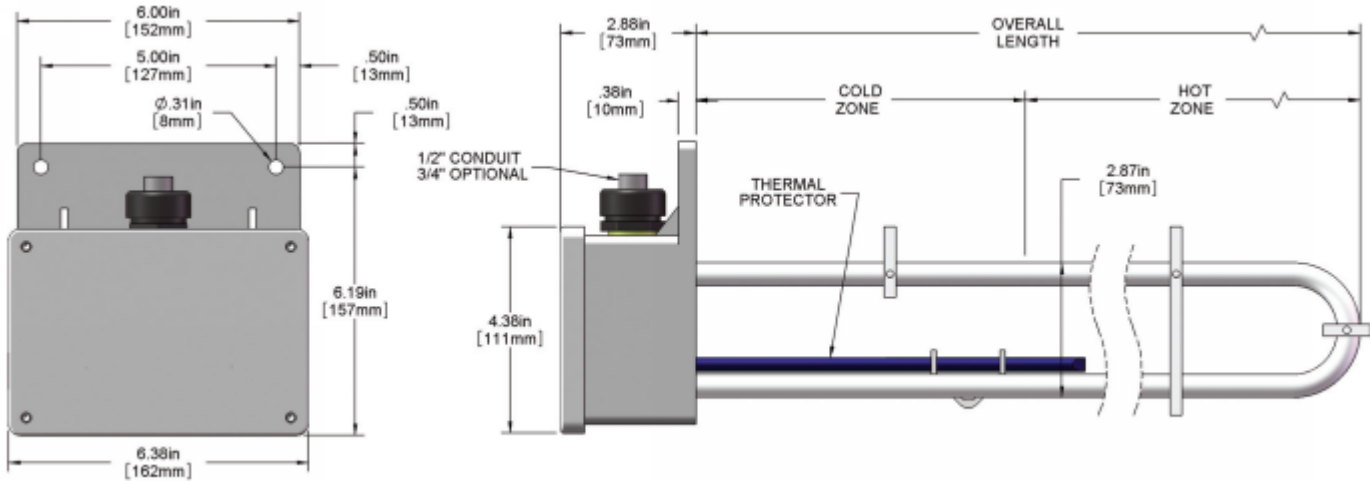
| 6HX SERIES, SIX ELEMENT FLUOROPOLYMER (PTFE) HEATERS | | | | | | |
|--|-------|---------------------|---------------------------|--------------|-----------------------|--|
| WATTS | VOLTS | HOT ZONE In./mm) | OVERALL LENGTH In./mm) | MODEL NUMBER | SHIP WGT. Lbs./kg) | |
| 2000 | 120 | 9 | 17 | 6HX2117-1** | 19 | |
| | 240 | (230) | (430) | 6HX2217.** | (8.5) | |
| | 480 | | | 6HX2417.** | | |
| 3000 | 240 | 15 | 23 | 6HX3223.** | 22 | |
| | 480 | (380) | (585) | 6HX3423.** | (10) | |
| 4000 | 240 | 21 | 29 | 6HX4229.** | 24 | |
| | 480 | (535) | (735) | 6HX4429.** | (11) | |
| 6000 | 240 | 28 | 35 | 6HX6235.** | 27 | |
| | 480 | (710) | (890) | 6HX6435.** | (12.5) | |
| 8000 | 240 | 38 | 47 | 6HX8247.** | 33 | |
| | 480 | (965) | (1195) | 6HX8447.** | (15) | |
| 10000 | 240 | 47 | 59 | 6HX10259.** | 40 | |
| | 480 | (1195) | (1500) | 6HX10459.** | (18) | |
| 12000 | 240 | 55 | 68 | 6HX12268.** | 45 | |
| | 480 | (1400) | (1725) | 6HX12468.** | (20.5) | |

Three phase standard. Single phase available as option. Add "-1" before thermal protector designator.

Product Features and Benefits:

- ◆ **SUPERIOR CHEMICAL RESISTANCE:** Inert to most aqueous acid, alkaline, anodizing and pickling solutions up to 212°F (100°C).
- ◆ **RUGGED CONSTRUCTION:** Heavy wall fluoropolymer (PTFE) covered stainless steel element reduces permeation and eliminates the need for gas purge systems. Guaranteed 100% pinhole free.
- ◆ **OUTSTANDING PERFORMANCE:** Low watt density design (10 watts/square inch, 1.5w/cm²) for long service life. Excellent choice for electroless chemistries.
- ◆ **CORROSION RESISTANT HEAD:** Vapor tight, flame retardant polypropylene terminal enclosure with 3-foot (.9m) flexible PVC liquid tight conduit.
- ◆ **SAFETY FEATURES:**
 - Grounded internal metal element.
 - Thermal protector built in. Replaceable P1 fuse standard for solutions up to 190°F (88°C).
 - Non-floating construction.
- ◆ **CERTIFICATIONS:** UL, CSA, and CE.
- ◆ **SIZES:** 2,000 watts to 12,000 watts.
- ◆ **VOLTAGES:** 120, 240 or 480 volts. 208, 380, 415, 600 (CSA only) and other voltages available. Three phase standard, single phase available.
- ◆ **OPTIONS AVAILABLE (consult factory):**
 - Resettable thermal protectors:
 - P2 bi-metal switch: for solutions up to 190°F (88°C).
 - P8 type-J thermocouple for solutions from 190°F (88°C) to 210°F (99°C).
 - P3 type-J thermocouple for solutions from 210°F (99°C) to 250°F (121°C).
 - Polypropylene guards: recommended for applications up to 180°F (82°C) (sold separately).
 - Fluoropolymer (PTFE) guards: recommended for chromic acid or solutions over 180°F (82°C) (sold separately).
 - L-Shaped and other special configurations.
 - Longer wire and conduit lengths.
 - Lower watt densities for highly viscous solutions and technical acids.
 - Temperature and level controls sized to match the heater.

6HX SERIES DIMENSIONS



6HX SERIES ORDERING INFORMATION

| Series | Wattage | Voltage | Overall Length | Options | Type of Fuse | Wire and Conduit Length |
|--------|--|--|--|---|---|--|
| | 2 = 2000 3 = 3000 4 = 4000 6 = 6000 8 = 8000 10 = 10000 12 = 12000 | 1 = 120 2 = 240 3 = 380 4 = 480 5 = 415 6 = 600 7 = 400 8 = 208 9 = 220 0 = 200 | 17 = 2kW 23 = 3kW 29 = 4kW 35 = 6kW 47 = 8kW 59 = 10kW 68 = 12kW | | | 36" length standard (no designator) specify variations from standard Ex: -X84 = 84" |
| | 6HX = PTFE 6HS = 304 stainless steel | | | | Replaceable Fuse -P1 (std) for solutions up to 190°F -P4 for 190° - 220°F solutions | |
| | | | | | Resettable Fuse (additional control components required) -P2 for solutions up to 190°F -P8 for 190° - 210°F solutions -P3 for 210° - 250°F solutions | |
| | | | | no designator = three phase power (standard) -1 = single phase power | | |

1 inch = 25.4mm