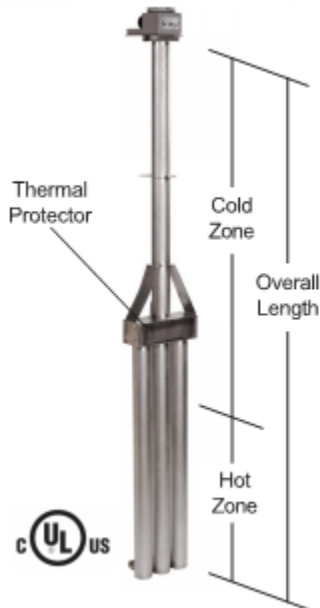


3V SERIES TRIPLE METAL DEEP TANK HEATERS



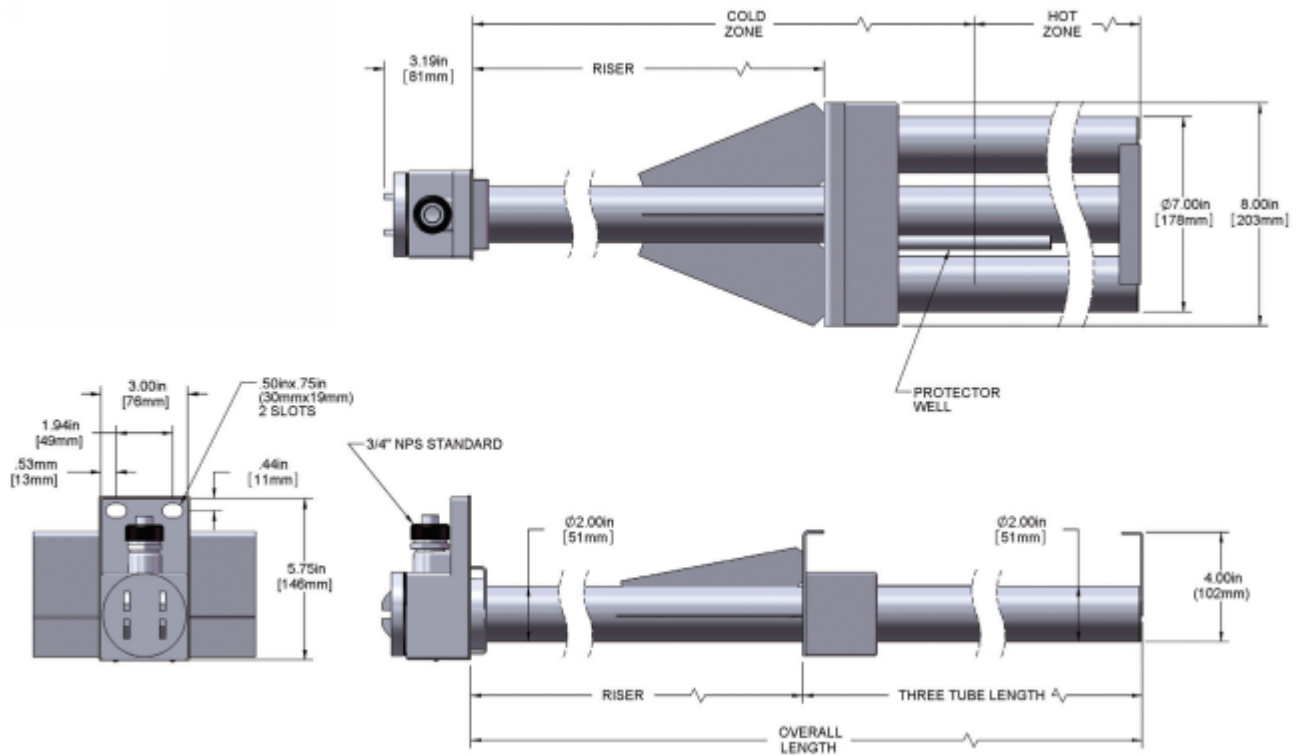
3V SERIES, TRIPLE METAL DEEP TANK HEATERS								
WATTS	VOLTS	HOT 3 TUBE ZONE LENGTH		STEEL	304 SS	316 SS	TITANIUM	EST. SHIP WGT. Lbs./kg)
		In./(mm)	In./(mm)					
18000	240	30	36	3VP18236-R*-**	3VF18236-R*-**	3VS18236-R*-**	3VT18236-R*-**	70
	480	(760)	(915)	3VP18436-R*-**	3VF18436-R*-**	3VS18436-R*-**	3VT18436-R*-**	(32)
24000	240	37	44	3VP24244-R*-**	3VF24244-R*-**	3VS24244-R*-**	3VT24244-R*-**	75
	480	(940)	(1120)	3VP24444-R*-**	3VF24444-R*-**	3VS24444-R*-**	3VT24444-R*-**	(34)
27000	480	44	50	3VP27450-R*-**	3VF27450-R*-**	3VS27450-R*-**	3VT27450-R*-**	80
			(1120)	(1270)				(36)
30000	480	49	55	3VP30455-R*-**	3VF30455-R*-**	3VS30455-R*-**	3VT30455-R*-**	87
			(1245)	(1400)				(40)
36000	480	58	64	3VP36464-R*-**	3VF36464-R*-**	3VS36464-R*-**	3VT36464-R*-**	100
			(1475)	(1625)				(46)
45000	480	66	72	3VP45472-R*-**	3VF45472-R*-**	3VS45472-R*-**	3VT45472-R*-**	120
			(1675)	(1830)				(55)
48000	480	70	76	3VP48476-R*-**	3VF48476-R*-**	3VS48476-R*-**	3VT48476-R*-**	125
			(1780)	(1930)				(57)
54000	480	78	84	3VP54484-R*-**	3VF54484-R*-**	3VS54484-R*-**	3VT54484-R*-**	140
			(1980)	(2135)				(64)

* Specify cold zone required. Example: 3VP18236-R59-P2.

Product Features and Benefits:

- ◆ **SUPERIOR CHEMICAL RESISTANCE:** Materials available for use in most aqueous alkaline solutions, plating solutions, and rinse tanks. Check solution recommendation chart or with your chemical supplier for proper sheath material selection.
- ◆ **RUGGED CONSTRUCTION:** Heavy wall metal sheaths available in:
 - Steel.
 - 304 stainless steel.
 - 316 stainless steel.
 - Titanium.
- ◆ **LONG LASTING PERFORMANCE:** Watt densities of 35 watts per square inch (5.4 w/cm²) ensure long service life.
- ◆ **CORROSION RESISTANT HEAD:** Vapor resistant, flame retardant polypropylene terminal enclosure with 3-foot (.9m) flexible PVC liquid tight conduit.
- ◆ **SAFETY FEATURES:**
 - Grounded construction.
 - Thermal protector built in. Resettable P2 protector standard for solutions up to 180°F (82°C).
 - Non-floating construction.
- ◆ **CERTIFICATIONS:** UL listed (except steel) to U.S. and Canadian safety requirements, and CE.
- ◆ **SIZES:** 18,000 watts to 54,000 watts.
- ◆ **VOLTAGES:** 240 to 480 volts. Three phase standard, single phase available. Some amperage limitations apply, consult factory.
- ◆ **OPTIONS AVAILABLE (consult factory):**
 - Resettable thermal protectors:
 - P6: for solutions from up to 230°F (110°C).
 - Special configurations and lengths.
 - Longer wire and conduit lengths.
 - Lower watt densities for highly viscous solutions.
 - Temperature and level controls sized to match the heater.

3V SERIES DIMENSIONS AND ORDERING INFORMATION



Series	Wattage	Voltage	Hot Zone Length (in.)	Riser Length	Options	Type of Protector	Wire and Conduit Length
18 = 18000	2 = 240	30 = 18kW	specify custom lengths, not to exceed tank depth Ex: -R48 = 48"			no designator = 36" length standard specify variations from standard Ex: -X84 = 84"	
24 = 24000	3 = 380	37 = 24kW					
27 = 27000	4 = 480	44 = 27kW					
30 = 30000	5 = 415	49 = 30kW					
36 = 36000	6 = 600	58 = 36kW					
45 = 45000	7 = 400	66 = 45kW					
48 = 48000	8 = 208	70 = 48kW					
54 = 54000	9 = 220	78 = 54kW					
	0 = 200						
3VP = steel 3VF = 304 stainless steel 3VS = 316 stainless steel 3VT = titanium							
no designator = three phase power (standard) -1 = single phase power							
						Resettable Protector (additional control components required)	
						-P2 for solutions up to 180°F	
						-P6 for 180° - 230°F solutions	

1 inch = 25.4mm