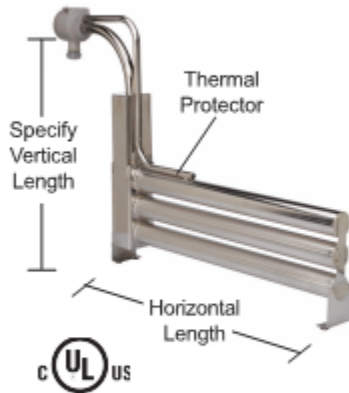


O.E.M. HEATERS

3LV SERIES, VERTICAL STACK TRIPLE METAL L-SHAPED HEATERS



WATTS	VOLTS	HORIZ. LGTH. STD.		STEEL	304 SS	316 SS	TITANIUM	SHIP WGT. Lbs./kg
		IN./MM	IN./MM					
3000	240	13	19	3LVP3213-R**	3LVF3213-R**	3LVS3213-R**	3LVT3213-R**	30
	480	(330)	(485)	3LVP3413-R**	3LVF3413-R**	3LVS3413-R**	3LVT3413-R**	(14)
6000	240	17	37	3LVP6217-R**	3LVF6217-R**	3LVS6217-R**	3LVT6217-R**	33
	480	(430)	(940)	3LVP6417-R**	3LVF6417-R**	3LVS6417-R**	3LVT6417-R**	(15)
9000	240	22	37	3LVP9222-R**	3LVF9222-R**	3LVS9222-R**	3LVT9222-R**	36
	480	(560)	(940)	3LVP9422-R**	3LVF9422-R**	3LVS9422-R**	3LVT9422-R**	(16.5)
12000	240	26	37	3LVP12226-R**	3LVF12226-R**	3LVS12226-R**	3LVT12226-R**	39
	480	(660)	(940)	3LVP12426-R**	3LVF12426-R**	3LVS12426-R**	3LVT12426-R**	(18)
15000	240	31	37	3LVP15231-R**	3LVF15231-R**	3LVS15231-R**	3LVT15231-R**	42
	480	(790)	(940)	3LVP15431-R**	3LVF15431-R**	3LVS15431-R**	3LVT15431-R**	(19)
18000	240	36	50	3LVP18236-R**	3LVF18236-R**	3LVS18236-R**	3LVT18236-R**	45
	480	(915)	(1270)	3LVP18436-R**	3LVF18436-R**	3LVS18436-R**	3LVT18436-R**	(20.5)
24000	240	44	50	3LVP24244-R**	3LVF24244-R**	3LVS24244-R**	3LVT24244-R**	54
	480	(1120)	(1270)	3LVP24444-R**	3LVF24444-R**	3LVS24444-R**	3LVT24444-R**	(24.5)
27000	480	50	50	3LVP27450-R**	3LVF27450-R**	3LVS27450-R**	3LVT27450-R**	60
			(1270)					(27.5)
30000	480	55	50	3LVP30455-R**	3LVF30455-R**	3LVS30455-R**	3LVT30455-R**	66
			(1400)					(30)
36000	480	64	50	3LVP36464-R**	3LVF36464-R**	3LVS36464-R**	3LVT36464-R**	75
			(1270)					(34)

*Specify vertical length by adding height in inches after "-R". Example: 3LVF3213-R39-P1.

Product Features and Benefits:

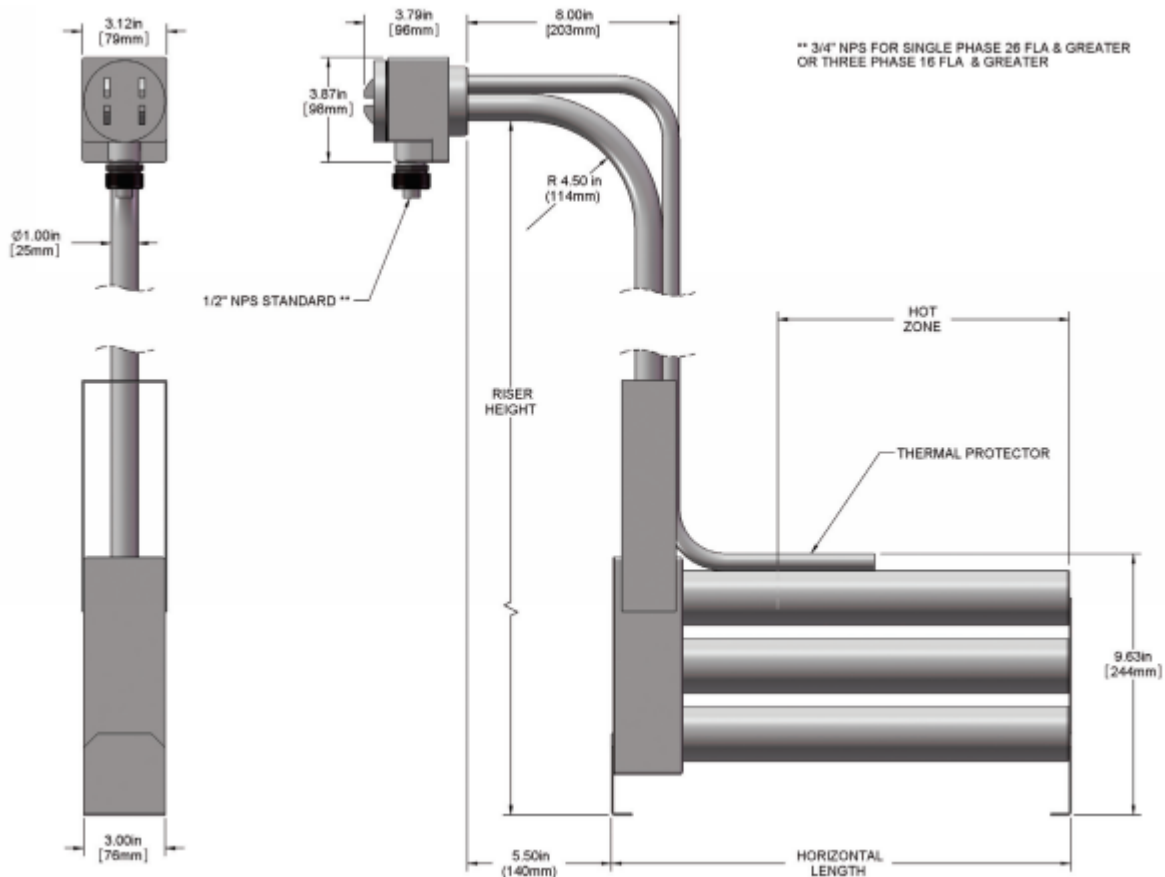
- ◆ **SUPERIOR CHEMICAL RESISTANCE:** Materials available for use in most aqueous alkaline solutions, plating solutions, and rinse tanks. Check solution recommendation chart or with your chemical supplier for proper sheath material selection.
- ◆ **RUGGED CONSTRUCTION:** Heavy wall metal sheaths available in:
 - Steel.
 - 304 stainless steel.
 - 316 stainless steel.
 - Titanium.
- ◆ **OUTSTANDING PERFORMANCE:** Watt densities of 35 watts per square inch (5.4 w/cm²) ensure long service life. Two-inch sludge legs standard, other lengths available.
- ◆ **EVEN HEATING:** Bottom design for even heating and varying liquid levels.
- ◆ **CORROSION RESISTANT HEAD:** Vapor resistant, flame retardant polypropylene terminal enclosure with 3-foot (.9m) flexible PVC liquid tight conduit.
- ◆ **SAFETY FEATURES:**
 - Grounded construction.
 - Thermal protector built in. Replaceable P1 protector standard for solutions up to 180°F (82°C).
 - Non-floating construction.
- ◆ **CERTIFICATIONS:** UL listed (except steel) to U.S. and Canadian safety requirements, and CE (except 600 watts).
- ◆ **SIZES:** 3,000 watts to 36,000 watts.
- ◆ **VOLTAGES:** 120 to 600 volts. Three phase standard, single phase available. Some amperage limitations apply, consult factory.
- ◆ **OPTIONS AVAILABLE (consult factory):**
 - Replaceable thermal protectors:
 - P4: for solutions from 180°F (82°C) to 230°F (110°C).
 - Resettable thermal protectors:
 - P2: for solutions up to 180°F (82°C).
 - P6: for solutions from 180°F (82°C) to 230°F (110°C).
 - Special configurations and vertical lengths.
 - Longer wire and conduit lengths.
 - Longer sludge legs.
 - Flexible risers (available with P2 thermal protectors only).
 - Lower watt densities for highly viscous solutions.
 - Temperature and level controls sized to match the heater.

Phone: 866-685-4443

Fax: 651-288-0497

E-mail: sales@oemheaters.com

3LV DIMENSIONS AND ORDERING INFORMATION



TRIPLE TUBE VERTICAL STACK METAL L-SHAPED HEATER ORDERING INFORMATION

Series	Wattage	Voltage	Horizontal Length	Vertical Length	Riser Option	Options	Type of Protector	Wire and Conduit Length
3 = 3000	1 = 120	13 = 3kW	-R19 = 3kW	no designator =	90° horizontal bend (standard) - S = straight riser	36" length standard (no designator) specify variations from standard Ex: -X84 = 84"		
6 = 6000	2 = 240	17 = 6kW	-R37 = 6kW					
9 = 9000	3 = 380	22 = 9kW	-R37 = 9kW					
12 = 12000	4 = 480	26 = 12kW	-R37 = 12kW					
15 = 15000	5 = 415	31 = 15kW	-R37 = 15kW					
18 = 18000	6 = 600	36 = 18kW	-R50 = 18kW					
24 = 24000	7 = 400	44 = 24kW	-R50 = 24kW					
27 = 27000	8 = 208	50 = 27kW	-R50 = 27kW					
30 = 30000	9 = 220	55 = 30kW	-R50 = 30kW					
36 = 36000	0 = 200	64 = 36kW	-R50 = 36kW					
3LVP = steel 3LVF = 304 stainless steel 3LVS = 316 stainless steel 3LVT = titanium			(custom lengths available) Ex: -R21 = 21" -FR = flex riser Ex: -FR21 = 21"				Replaceable Protector -P1 (std) for solutions up to 180°F -P4 for 180° - 220°F solutions Resettable Protector (additional control components required) -P2 for solutions up to 180°F -P6 for 180° - 220°F solutions	no designator = three phase power (standard) -1 = single phase power

1 inch = 25.4mm